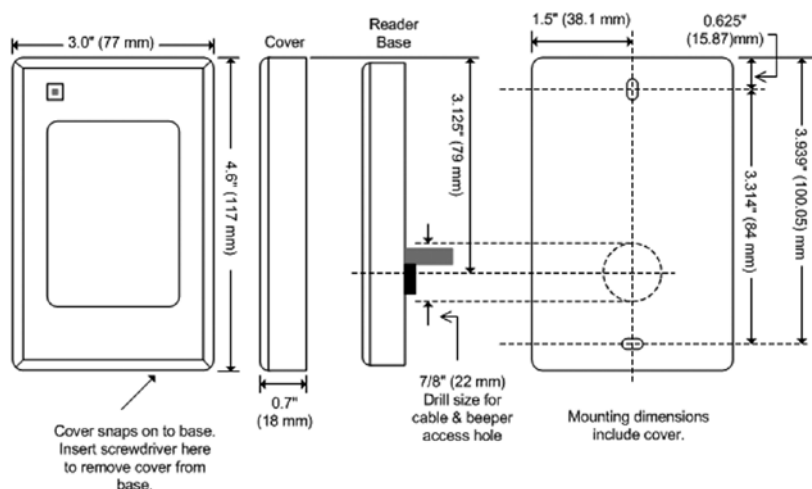


- Occupies one reader port on Keyscan Systems
- May be used on non-Keyscan systems with many HID 125kHz card protocols
- Suitable for outdoor use in all weather conditions
- Keypad labeled with alpha-numeric identifiers
- Pass-thru Wiegand output standard
- Epoxy encased electronics provides reliable operation
- Convenient mounting to a single gang wall box.
- Buttons provide positive tactile and audible feedback
- Blue backlighting provides easy use in low light areas
- Provides read range of up to 15.2cm (6 inches)
- Raised 'pip' on the 5 key for visually impaired individuals.
- Limited lifetime warranty against defects in materials and workmanship



Features and Benefits

- Ideal for applications that require enhanced security by enforcing both card presentation and PIN entry for secured areas
- For applications where cards are not issued, users may be assigned a temporary or permanent PIN with designated access privileges
- Mounts on a single gang electrical box
- Membrane style keypad surface prevents mal-function due to dust and debris accumulation
- Keypad surface does not leave finger print smudges



Note: K-KPR comes complete with the KKI-KPR pinpad Wiegand interface board for use with Keyscan access control panels

Specifications

Size: 4.6 x 3 x 0.7 inches (117 x 77 x 18mm)

Read Range: Off metal -up to 6" (15.2cm)

On metal – up to 4" (10.2cm)

Input Voltage: 12VDC at Reader

Current Draw: 50mA typical, 115mA peak during card read

Operating Temperature: -40°C to 65°C (-40°F to 149°F)

Cable: 6 conductor shielded cable

Wiegand Output: 500 feet (152 meters)

KEYSCAN INC.

901 Burns Street East

Whitby, Ontario, Canada L1N 6A6

Telephone: 905-430-7226 Facsimile: 905-430-7275

Toll Free: 1-888-539-7226 (Canada/USA)

Web: www.keyscan.ca

Want more information? Contact your local representative at: